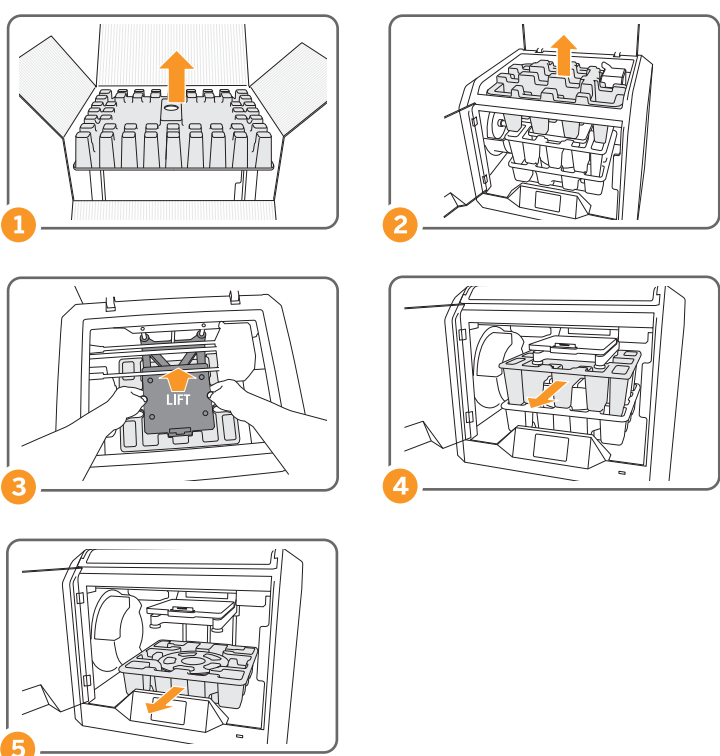


DREMEL 3D40 IDEA BUILDER 3 D P R I N T E R

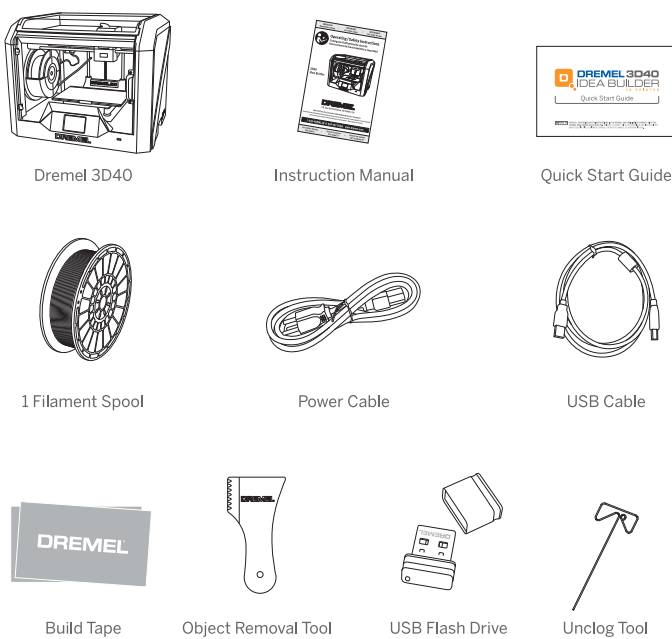
Quick Start Guide

⚠ WARNING READ ALL OPERATING/SAFETY INSTRUCTIONS IN THE MANUAL AND FAMILIARIZE YOURSELF WITH THE DREMEL 3D40 BEFORE SETUP AND USE. FAILURE TO COMPLY WITH THE WARNINGS AND INSTRUCTIONS MAY RESULT IN FIRE, EQUIPMENT DAMAGE, PROPERTY DAMAGE, OR PERSONAL INJURY.

1 Unboxing

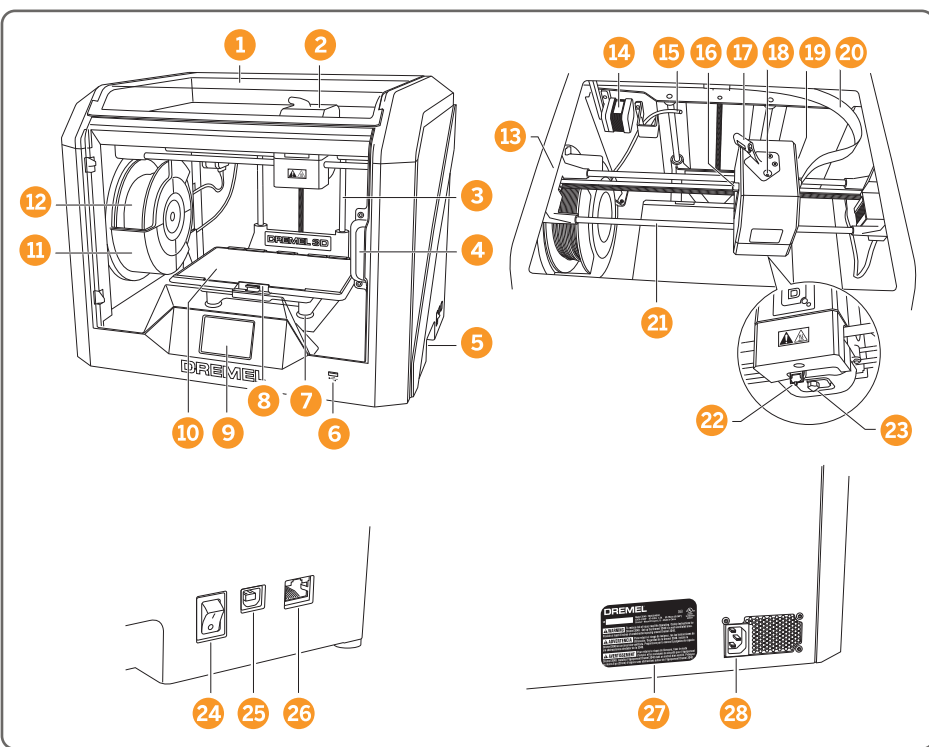


2 Kit Contents



TIP: Save your Dremel 3D40 packaging for future transportation and storage.

3 Getting to Know Your Dremel 3D40



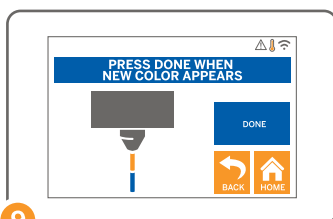
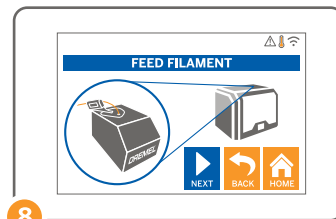
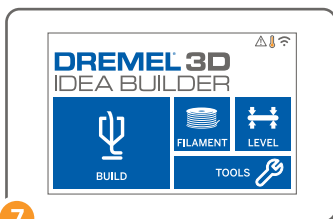
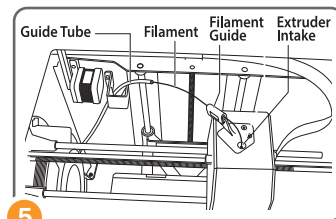
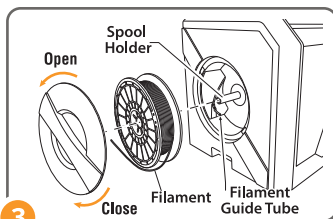
1. Lid
2. Extruder
3. Z-Axis Guide Rail
4. Door
5. Gripping Handles
6. USB A Port
7. Leveling Knobs
8. Build Platform Clip
9. Touch Screen
10. Build Platform
11. Filament Spool Holder
12. Filament Spool
13. Y-Axis Guide Rail
14. Stepper motor
15. Filament Guide Tube
16. Extruder Lever
17. Filament Guide Clip
18. Extruder Intake
19. Extruder Fan
20. Ribbon Cable
21. X-Axis Guide Rail
22. Leveling Sensor
23. Extruder Tip
24. Power Switch
25. USB B Port
26. Ethernet Port
27. Nameplate
28. Power Input

4 Getting Ready to Build

⚠ WARNING OBSERVE ALL PROVIDED WARNINGS AND SAFETY INSTRUCTIONS WHEN USING THE DREMEL 3D40. FAILURE TO DO SO MAY RESULT IN FIRE, EQUIPMENT DAMAGE, PROPERTY DAMAGE OR PERSONAL INJURY.

FILAMENT INSTALLATION

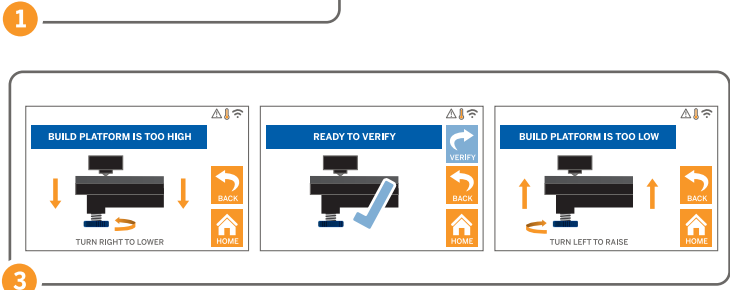
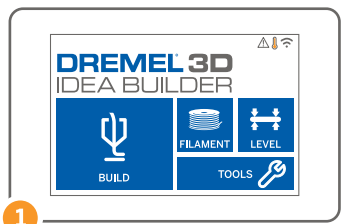
1. Ensure the power switch is in the off position.
2. Twist spool door counter-clockwise and remove.
3. Place filament spool onto spool holder with spool being fed from the bottom towards the back of the Dremel 3D40.
4. Thread filament through filament guide tube and replace spool door.
5. Insert the filament coming from the filament guide tube into the extruder intake.
6. Plug power cord into outlet and turn on power switch.
7. Tap "Filament" on your Dremel 3D40's touch screen and wait for extruder to heat.
8. When Feed Filament screen appears, tap "Next" and thread filament into extruder intake until extruder feeds through on its own.
9. When new filament appears from extruder tip, tap "Done" to complete filament load process.



5 Getting Ready to Build (continued...)

LEVELING BUILD PLATFORM

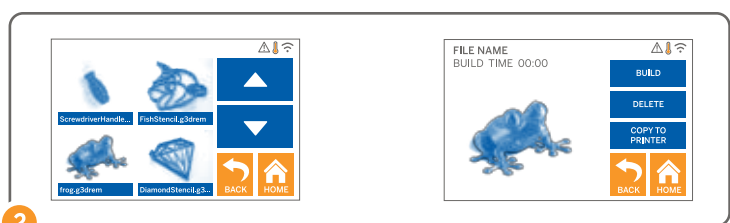
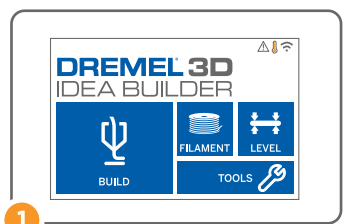
1. Tap "Level" on your Dremel 3D40's touch screen.
2. 3D40 will first check the level at the back of the build platform, then move to the first leveling position.
3. The touchscreen will indicate if your build platform is too high or too low.
 - a) If the build platform is too high, turn knob to the right until you hear a "beep". Tap "Verify" to check the bed level again.
 - b) If the build platform is too low, turn knob to the left until you hear a "beep". Tap "Verify" to check the bed level again.
4. Repeat step above for the second levelling position.
5. When the build platform is level, extruder will automatically move to the calibration position and complete the levelling process.



6 Building

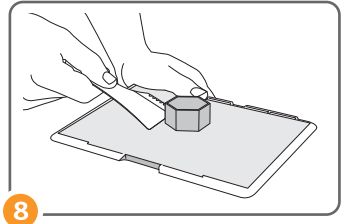
BUILDING OUT OF THE BOX

1. On the main screen, tap the "Build" option. Then tap the machine icon to select from pre-installed models.
2. Tap on the model file you would like to build and tap "Build".
3. Your Dremel 3D40 will align the extruder with the build platform and will begin heating the extruder.
4. Once the correct temperature is reached, your model will begin to build.
5. Touch screen will display "Object Finished".



REMOVING YOUR OBJECT FROM THE BUILD PLATFORM

6. Wait for the extruder to cool before removing your object.
7. With the object still attached, remove build platform from the build area.
8. Use your hand to peel your object from the build platform. If needed, gently use the object removal tool to remove object from build platform.



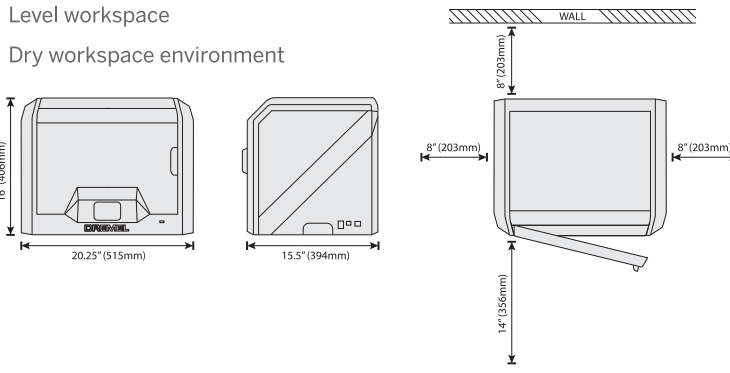
7 Best Practices & Resources

BEST PRACTICES

1. ALWAYS USE BUILD TAPE.
2. Ensure your platform is level (before you begin building your object).
3. Ensure spool is installed properly and can rotate freely.
4. When loading filament, allow Dremel 3D40 to extrude until material is consistent with the installed filament color.
5. It is important to stay near your Dremel 3D40 during operation and watch the Dremel 3D40 begin building objects. (If a situation occurs, select the STOP icon right away, to stop any further building).
6. Remove the build platform before removing the object.
7. Use object removal tool gently to avoid damaging the build platform or object.

OPERATING ENVIRONMENT

Room Temperature: 16-29° C (60 - 85° F)
 Level workspace
 Dry workspace environment



3D40 RESOURCES

Quick Start Guide	In box and www.dremel3d.com
3D40 Website	www.dremel3d.com
3D40 Customer Support	1-844-4DRML3D (1-844-437-6533) www.dremel3d.com
Print Studio Software	Installed from www.dremel3d.com or from USB flash drive provided with the Dremel 3D40

8 Get Connected

Wi-Fi

Connect your printer to your wireless network so you can build from anywhere.

USE YOUR COMPUTER OR MOBILE DEVICE TO BUILD FROM ANYWHERE WITH A WIRELESS CONNECTION.

SET UP WI-FI?

YES

NO

BACK HOME

MOBILE APP

Download the Dremel 3D Mobile App to control your 3D40 remotely, browse for new projects, and more.

DREMEL3D.COM

Visit Dremel3D to register your 3D40, sign up for the newsletter, and receive Dremel expert customer support.

Part#: 2610039152